

# PRIOX DRENA-LINE

## VORTEX PUMP

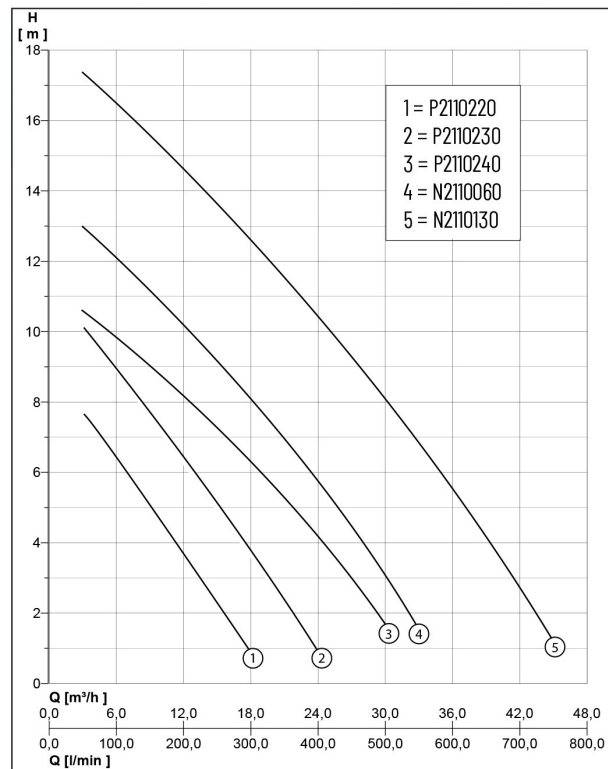
- AISI 304
- Up to 50mm free passage
- Vortex impeller
- Automatic float for single phase models
- Hmax to 18 m
- Qmax to 800 LPM
- Fluid temperature 40 °C
- 7 m max. submersion



### DESCRIPTION

Priox series pumps are made completely from high grade stainless steel AISI 304. They operate completely immersed in the liquid to be pumped which provides for the cooling of the motor from the outside. Made with a retreated impeller on the principle of vortex operation. Single phase versions are equipped with a float switch for automatic operation and a built-in thermal overload for effective protection against overload. Designed for pumping sewage and wastewater containing particles up to 50mm in diameter.

### PERFORMANCE



Type	Delivery head H [m]	2	3	4	5	6	7	8	9	10	11	12	14	16
300/9 M AUT	Flow rate Q [m <sup>3</sup> /h]	15.6	13.5	11.6	9.0	6.8	4.7	2.7						
420/11 M AUT		21.6	19.6	17.8	15.5	13.0	10.5	8.1	5.7	3.5				
500/11 M AUT		29.1	26.8	24.3	21.5	18.8	15.8	12.5	9.0	5.5				
600/13 T		32.1	30.0	28.0	25.5	23.2	20.5	18.2	15.1	12.5	9.7	6.3		
800/18 T				39.0	36.9	34.8	31.0	30.0	27.5	25.0	22.8	19.9	14.0	7.8

We reserve the right to change specifications without notice.  
This data is represented in the performance curve as a limit of application.

# PRIOX

## VORTEX PUMP

### SCOPE OF SUPPLY

Pump ready for connection with 10 m cable (single phase with 3 flat-pin ANZ plug and automatic level float switch).

### MECHANICAL DATA

Pump	Vertical single-stage
Free passage	40 / 50 mm
Bearing	Self-lubricating ball bearings
Oil chamber	Yes
Mechanical seal	Silicon carbide (lubricated in oil chamber)
Shaft	Stainless steel (AISI 304)

Impeller	Stainless steel (AISI 304)
Motor housing	Stainless steel (AISI 304)
Pump housing	Stainless steel (AISI 304)
Submersible	Yes
Pressure outlet	2" MI
Temperature max.	40°C
Max. submergence	7 m

### ELECTRICAL DATA

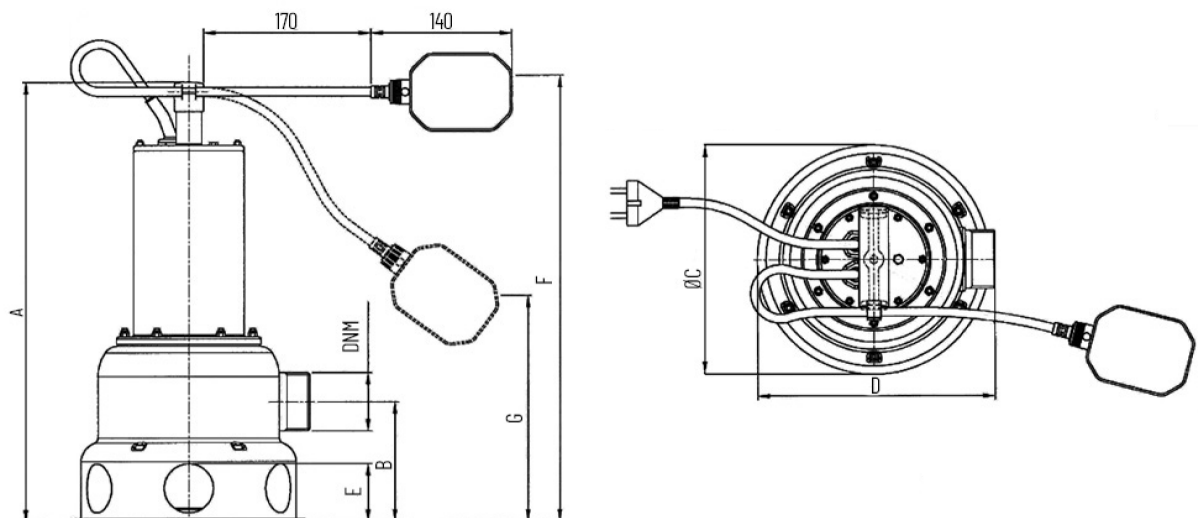
Power line	10m H07RN-F
Type of enclosure	IP 68

Insulation class	F
Rotation speed	2850

### PRIOX

Type	Code No.	Voltage	Motor rating (kW)		Current (A)	Free passage (mm)	Weight
			P1	P2			
PRIOX 300/9 M AUT	<b>P2110220</b>	1/N/PE~230 V	0.9	0.6	4.1	40	9.6 kg
PRIOX 420/11 M AUT	<b>P2110230</b>	1/N/PE~230 V	1.3	0.9	6	40	11.2 kg
PRIOX 500/11 M AUT	<b>P2110240</b>	1/N/PE~230 V	1.55	1	7	50	11.7 kg
Without level control							
PRIOX 600/13 T	<b>N2110060</b>	3/N/PE~400 V	1.8	1.2	3.1	50	12.6 kg
PRIOX 800/18 T	<b>N2110130</b>	3/N/PE~400 V	3	2.4	5.5	50	20.2 kg

### Dimensions and switching points PRIOX (mm)



Type	A	B	C	D	E	F	G	DNM
PRIOX 300/9 M AUT	420	122,5	235	249	63	550	590	2"
PRIOX 420/11 M AUT	450	122,5	235	249	63	550	290	2"
PRIOX 500/11 M AUT	450	122,5	235	249	63	550	290	2"
PRIOX 600/13 T	450	122,5	235	249	63	-	-	2"
PRIOX 800/18 T	485	122,5	235	249	63	-	-	2"

# PRIOX

## VORTEX PUMP

---

Type	Code no.	Single pump controller	Dual pump controller	Float switch 10 m	Float switch 15 m	Float switch 20m	Float switch 30 m	Float switch 40 m
<b>With built-in level control</b>								
PRIOX 300/9 M AUT	<b>P2110220</b>	PPC-15002-B	PPC-30010-B					
PRIOX 420/11 M AUT	<b>P2110230</b>	PPC-15002-B	PPC-30010-B	FSW-10M	FSW-15M	FSW-20M	FSW-30M	FSW-40M
PRIOX 500/11 M AUT	<b>P2110240</b>	PPC-15002-D	PPC-30010-D					
<b>Without level control</b>								
PRIOX 600/13 T	<b>N2110060</b>	PPC-15006-A	PPC-30030-A					
PRIOX 800/18 T	<b>N2110130</b>	PPC-15006-B	PPC-30030-B	FSW-10M	FSW-15M	FSW-20M	FSW-30M	FSW-40M