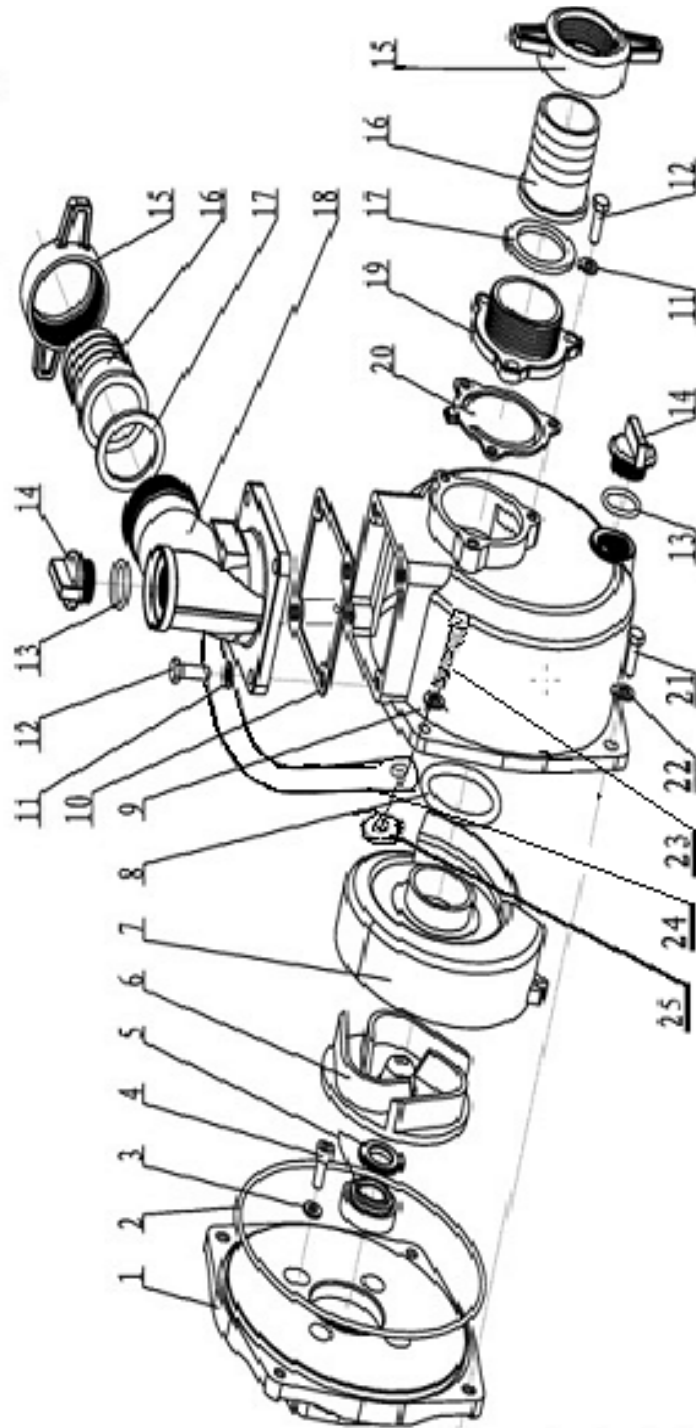


MiniBlaze Model



* New impeller will not fit older models purchased prior to 2010 a complete new wet end will need to be ordered.
Drawings are indicative only, product appearance may change slightly.

PARTS LIST TABLE

MiniBlaze Model

MODEL	PART NUMBER
	MB25L

REF NO.	Component Description	Kit / Part No.	
3	Washer Sealing	Nut & Bolt Kit 707560	4PC
4	Socket Head Cap Screw		4PC
11	Washer (6x13x1.2)		7PC
12	Bolt (M6x18)		7PC
21	Bolt (M8x20)		2PC
22	Washer (8x16x1.2)		4PC
23	Bolt (M8x40)		2PC
25	Nut, Flange (M8)		2PC
2	O'Ring Diffuser	Seal & O'Ring Kit 707558	1PC
5	Machinery Seal		1PC
8	O'Ring		1PC
10	Flange Output		1PC
13	O'Ring		2PC
20	Check Valve		1PC
10	Flange Output	Suction & Discharge Kit 707559	1PC
13	O'Ring		2PC
14	Plug		2PC
18	Flange Output		1PC
19	Flange Endure Press		1PC
20	Check Valve		1PC
6	Impeller	660200010-T850	1PC
NS	Carburetor	170020440-T010	1PC
NS	Fan Cover Only	160210004-T010	1PC
NS	Fuel Tank	170500514-T010	1PC
NS	Ignition Assembly	270920171-T010	1PC
NS	Oil Sensor	281850155-T010	1PC
NS	Recoil Start & Fan Cover	193490001-T010	1PC
NS	Spark Plug	270960027-T010	1PC
NS	Switch Engine Stop	271660031-T010	1PC
NS	Wet End Kit Complete	660180028-T850	1PC