

PRIOX DRENA-LINE

VORTEX WASTEWATER PUMP

The PrioX series pumps are made completely from high quality stainless steel to provide excellent corrosion resistance and robustness. Built-in thermal overload on single phase models provide effective protection against overload. Fitted with a Vortex impeller, the PrioX is designed for pumping wastewater containing particles up to 50mm in diameter. Single phase models are equipped with float switch for automatic on/off operation.



KEY FEATURES

- Automatic float for 1Ph models
- Completely in AISI 304
- Large free passage up to 50mm
- Reliable vortex impeller
- Hmax = 18m; Qmax = 800 lpm
- 5 models available

PRIOX DRENA-LINE VORTEX WASTEWATER PUMP

The PrioX series is a submersible wastewater pump that is suitable for pumping dirty water containing a limited amount of solids. With a powerful vortex impeller, the PrioX is able to deliver a maximum head of 18m and maximum flow of 800 lpm.

Available in both automatic for single phase or manual for 3 phase models.



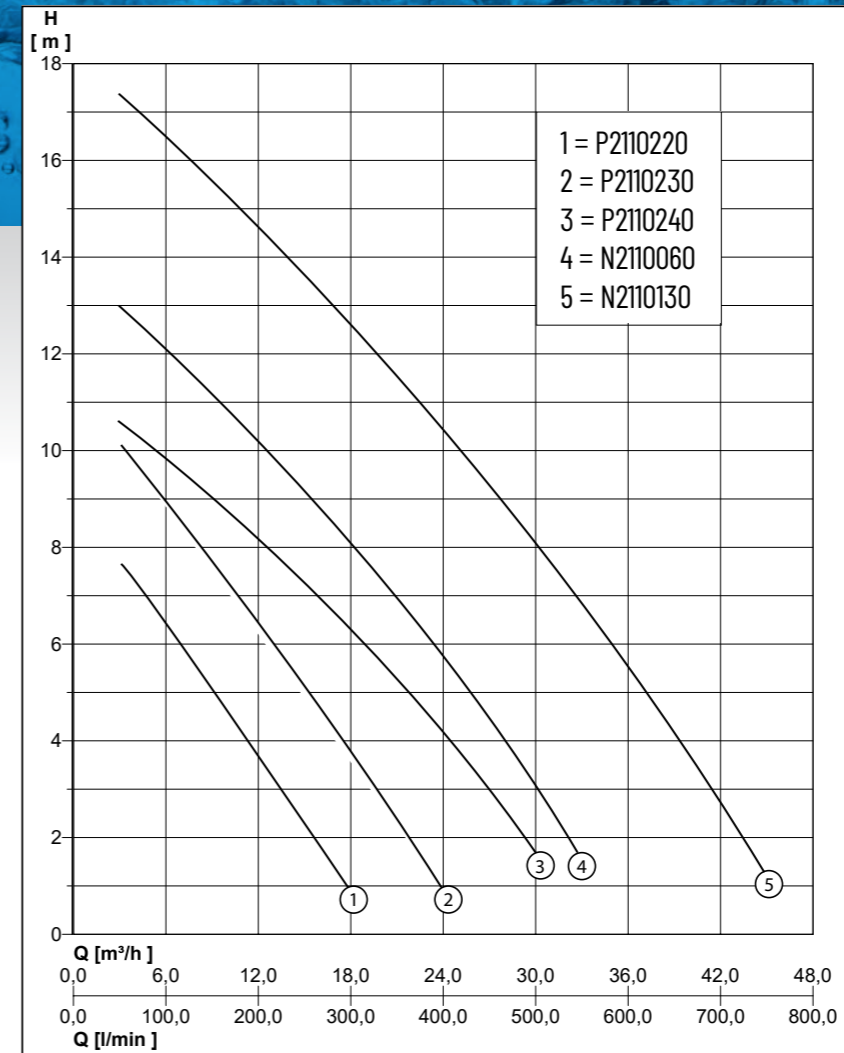
APPLICATIONS

- Groundwater transfer.
- Emptying residential sumps and sewage tanks.
- Transferring wastewater from kitchen sinks, laundry or baths to higher sewage lines.
- Emptying tanks or reservoirs.
- Removing water from drainage collecting pits.
- Draining of flooded buildings or cellars.
- Pumping of blackwater* (wastewater with toilet discharge).
- Pumping liquids containing long fibrous materials.
- Pumping liquid containing solids larger than maximum recommended particle size.
- Pumping aggressive or inflammable liquids.
- Pumping liquid containing abrasive solids (stones, ceramics etc).

*Applicable only for models with 50mm free passage.

SPECIFICATIONS

PN	MODEL	VOLTAGE	MOTOR RATING		CURRENT	FREE PASSAGE	WEIGHT
			P1	P2			
P2110220	PRIOX 300/9 M AUT	1/N/PE~230 V	0.90 kW	0.60 kW	4.10 A	40 mm	9.6 kg
P2110230	PRIOX 420/11 M AUT	1/N/PE~230 V	1.30 kW	0.90 kW	6.00 A	40 mm	11.2 kg
P2110240	PRIOX 500/11 M AUT	1/N/PE~230 V	1.55 kW	1.00 kW	7.00 A	50 mm	11.7 kg
N2110060	PRIOX 600/13 T	3/N/PE~400 V	1.80 kW	1.20 kW	3.10 A	50 mm	12.6 kg
N2110130	PRIOX 800/18 T	3/N/PE~400 V	3.00 kW	2.40 kW	5.50 A	50 mm	20.2 kg



PERFORMANCE

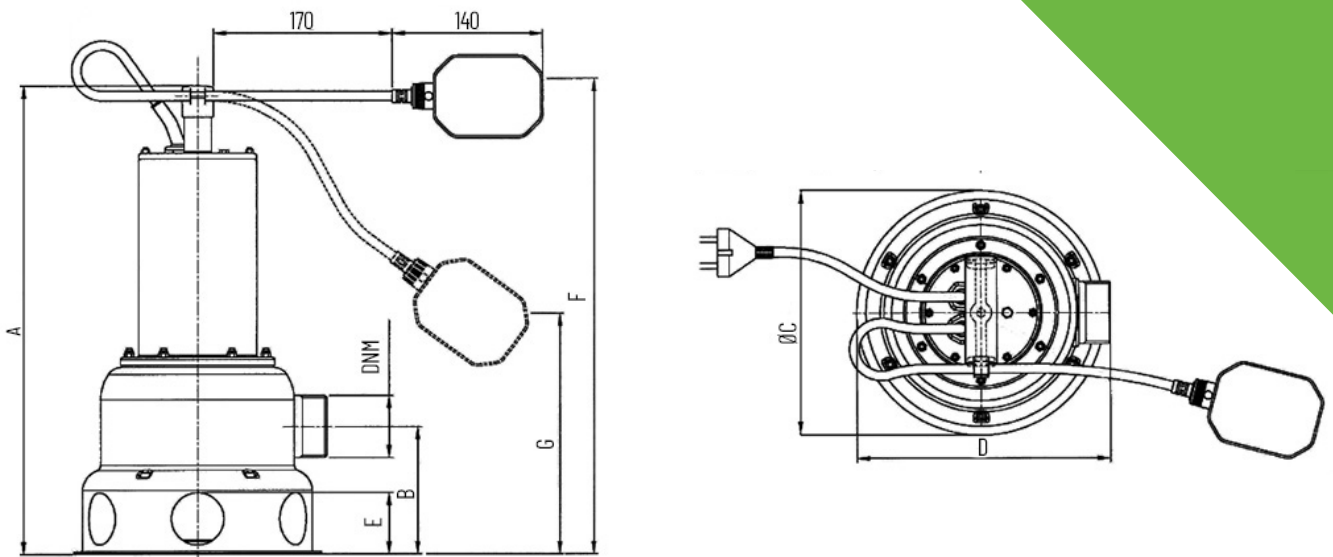
PN	MODEL	Delivery head H [m]													
		2	3	4	5	6	7	8	9	10	11	12	14	16	
P2110220	PRIOX 300/9 M AUT	15.6	13.5	11.6	9.0	6.8	4.7	2.7							
P2110230	PRIOX 420/11 M AUT	21.5	19.6	17.8	15.5	13.0	10.5	8.1	5.7	3.5					
P2110240	PRIOX 500/11 M AUT	29.1	26.8	24.3	21.5	18.8	15.8	12.5	9.0	5.5					
N2110060	PRIOX 600/13 T	32.1	30.0	28.0	25.5	23.2	20.5	18.2	15.1	12.5	9.7	6.3			
N2110130	PRIOX 800/18 T			39.0	36.9	34.8	31.0	30.0	27.5	25.0	22.8	19.9	14.0	7.8	

MECHANICAL DATA

Bearing	Self-lubricating ball bearings	Submersible	Yes
Oil Chamber	Yes	Mechanical Seal	Silicon Carbide (lubricated in oil chamber)
Shaft	Stainless Steel (AISI 304)	Type of Liquid	Discharge water with solids
Impeller	Stainless Steel (AISI 304)	Temperature max	40°C
Pump Housing	Stainless Steel (AISI 304)	Max operating depth	7 m

ELECTRICAL DATA

Power Cord	10m H07RN-F	Insulation Class	F
Type of Enclosure	IP68	Rotation Speed	2850rpm



DIMENSIONS

PN	MODEL	A	B	C	D	E	F	G	DNM
P2110220	PRIOX 300/9 M AUT	420	122,5	235	249	63	550	290	2"
P2110230	PRIOX 420/11 M AUT	450	122,5	235	249	63	550	290	2"
P2110240	PRIOX 500/11 M AUT	450	122,5	235	249	63	550	290	2"
N2110060	PRIOX 600/13 T	450	122,5	235	249	63	-	-	2"
N2110130	PRIOX 800/18 T	485	122,5	235	249	63	580	320	2"



1-21 Monash Drive | Dandenong South, VIC 3175 | Australia | 1300 137 344 | pentair.com.au

Information contained here-in remains the property of Pentair Australia Holdings Pty Ltd under Australian copyright law. Content may not be reproduced or transmitted without our prior written permission.

Disclaimer: Pentair reserves the right to change product specifications and products details. Product images are for reference purposes only and may not represent the actual/current product.

©2019 Pentair. All rights reserved.