



ONGA[®]

112/252, 14, 18 SERIES

HI-FLO CENTRIFUGAL PUMPS

High flow water transfer. Suitable for tank filling
& irrigation.



Should the installer or owner be unfamiliar with the correct installation or operation of this type of equipment, contact the distributor or manufacturer for correct advice before proceeding with installation or operation of the product

RELAX - YOU' VE BOUGHT AN ONGA...

Congratulations on your decision to purchase an Onga product. Onga is one of the best known brands in its field, with a proud local and International reputation.

Onga is a brand for reliability, value for money and technological innovation. So why does Onga lead its field? Here`s a few simple reasons:

1. Continual Product Improvement

We employ the best engineers both in Australia and around the world to develop new and better ways to take water further.

2. Operational Excellence

There is only one standard that we set ourselves for both product quality and the quality of our service. That standard is excellence... to have no-one better than us at what we do... nothing short of that is acceptable.

3. A Fair Price

Onga products are neither the cheapest nor the most expensive in their field. Our products do, on the other hand, always represent very good value for money - they always have and they always will.

4. Our Team of Dealers

The hand picked authorised Onga dealer network throughout Australia and worldwide are second to none. We invest considerable time and resources training and supporting them through the Onga Training Academy.

You`ll find an Onga product wherever people need to move water in 3 broad markets covering:



Residential

Technologically advanced solutions for moving and treating water in the Home, Garden and Pool.



Agricultural

Innovative Stock & Crop water management solutions for Primary Industries.



Process

Water movement products for building services, emergency services and original equipment manufactures

IMPORTANT!

The operator must be provided with this owner's manual. This must be read before operation and followed during operation.

These instructions are a guide only. Users not familiar with pumping equipment should seek advice from people with experience in pump installation.

Technical Data

PN	PN	Pump Material	V-ø-Hz	kW (P2)	AMP	Suction	Discharge
112	311200	Glass Filled Nory	230-1-50	1.1	7.2	1 ¼" BSPM	1 ¼" BSPM
112-3ø	311230	Glass Filled Nory	415-3-50	1.1	3.5	1 ¼" BSPM	1 ¼" BSPM
142	314200	Glass Filled Nory	230-1-50	1.8	9.6	1 ½ BSPM	1 ½ BSPM
142-3ø	314230	Glass Filled Nory	415-3-50	1.8	3.2	1 ½ BSPM	1 ½ BSPM
143	314300	Glass Filled Nory	230/460-1-50	2.4	14 / 7	1 ½ BSPM	1 ½ BSPM
143-3ø	314330	Glass Filled Nory	415-3-50	2.4	5.2	1 ½ BSPM	1 ½ BSPM
147	314700	Glass Filled Nory	230-1-50	1.8			
148	314800	Glass Filled Nory	230-1-50	1.8			
252	325210	Cast Iron	230-1-50	1.1	7.2	1 ¼" BSPF	1 ¼" BSPF
252-3ø	325230	Cast Iron	415-3-50	1.1	2.6	1 ¼" BSPF	1 ¼" BSPF
182	318200	Cast Iron	230-1-50	1.5	8.9	2" BSPF	2" BSPF
182-3ø	318230	Cast Iron	415-3-50	1.5	3.9	2" BSPF	2" BSPF
183	318300	Cast Iron	230/460-1-50	2.4	14 / 7	2" BSPF	2" BSPF
183-3ø	318330	Cast Iron	415-3-50	2.4	5.5	2" BSPF	2" BSPF
184	318400	Cast Iron	230/460-1-50	3.8	20.6 / 10.3	2" BSPF	2" BSPF
184-3ø	318430	Cast Iron	415-3-50	3.8	7.5	2" BSPF	2" BSPF
185-3ø	318530	Cast Iron	415-3-50	6.0	12.8	2" BSPF	2" BSPF
187	318700	Cast Iron	230/460-1-50	2.4	14 / 7	2" BSPF	2" BSPF
187-3ø	318730	Cast Iron	415-3-50	2.4	5.3	2" BSPF	2" BSPF

IP Rating: **IP55 or IP44**

Maximum Working Pressure: **145kPa (413)**
160kPa (414)
220kPa (415)
190kPa (416)
260kPa (417)

Maximum Fluid Temperature: **70°C**

Maximum Ambient Temperature: **55°C**

READ AND FOLLOW SAFETY INSTRUCTIONS!



This is the safety alert symbol. When you see this symbol on your pump or in this manual, look for one of the following signal words and be alert to the potential for personal injury:

DANGER

DANGER warns about hazards that will cause serious personal injury, death or major property damage if ignored.

WARNING

WARNING warns about hazards that can cause serious personal injury, death or major property damage if ignored.

CAUTION


CAUTION warns about hazards that will or can cause minor personal injury or property damage if ignored.


The label **NOTICE** indicates special instructions which are important but not related to hazards.


Carefully read and follow all safety instructions in this manual.

Electrical Safety



 Wire motor for correct voltage. See 'Electrical' section of this manual and motor label.

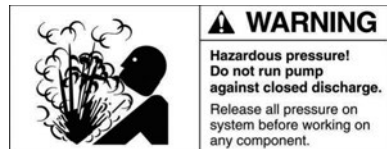
 Ground motor before connecting to power supply.

 Meet National or local electrical code for all wiring.

CAUTION

Do not touch an operating motor. Modern motors are designed to operate at high temperatures. To avoid burns when servicing pump, allow it to cool for at least 20 minutes after shut-down before handling.

General Safety



To avoid heat build-up, over pressure hazard and possible injury, do not use in a pressure tank (domestic water) system. Do not use as a booster pump; pressurised suction may cause pump body to explode.

Do not allow pump or piping system to freeze. Freezing can damage pump and pipe, may lead to injury from equipment failure and will void warranty.

Pump water only with this pump.

Periodically inspect pump and system components. Wear safety glasses at all times when working on pumps.

INSTALLATION

a) Preparation for operation

Read these instructions first

Inspect your pump for shipping damage. Report any damage to your Onga dealer. Make sure the suction piping is free of air leaks and is laid so that it rises evenly from water source to pump. This makes priming easier and avoids airlock.

b) Pump Protection

Warranty of these pumps is void unless they are housed correctly and protected from weather, floods, chemicals, dust, vermin, insects etc. Housing used should be weather proof and well vented so that motor heat can escape. To obtain best performance pumps should be installed as close to water as possible. Depending on application they do not have to be bolted down.

c) Pump Mounting

The pump must be mounted on a solid, level, vibration free surface.

Moulded pumps can be damaged by connected piping. Pipe should be supported so the pump casing is not strained by the pipe weight or misalignment.

d) Suction

Suction should be laid so that it rises evenly from water source to pump. This makes priming easy and avoids airlocks.

Pipes should be the same size or larger than the pump inlet and discharge threads. If piping is longer than 15m (50ft) then a pipe friction table should be consulted to obtain the correct size.

All pipe joints must be sealed to ensure they are airtight and a foot or check valve must be used in the suction pipe. If using a check valve make sure that it is installed in correct direction.

e) Discharge

The length and diameter of the discharge hoses or pipe will effect the pressure and flow rate at which your pump operates. Pressure ratings of all components must exceed the maximum pressure of the pump by an appropriate safety factor.

▲ CAUTION

This appliance is not intended for use by young children or infirm persons without supervision. Children should be supervised at all times when near this appliance.









Reduction of Capacity with Centrifugal Pump Suction

Total Suction Head		Percentage of Rated Capacity
Feet	Metres	
10	3.0	80%
15	4.6	70%
20	6.1	57%

Please note. Reduction of capacity affects both flow and pressure.

ELECTRICAL



-  Disconnect power to motor before working on pump or motor.
-  Ground motor before connecting to electrical power supply. Failure to ground motor can cause severe or fatal electrical shock hazard.
-  Do not ground to a gas supply line.
-  To avoid dangerous or fatal electrical shock, turn OFF power to motor before working on electrical connections.
-  Supply voltage must be no lower than 6% or no higher than 10% of motor label voltage. Incorrect voltage can cause fire or damage motor and voids warranty. If in doubt consult a licensed electrician.
-  If possible, connect pump to a separate branch circuit with no other appliances on it.
-  An earth leakage or residual current protection device must be fitted to all installations, rated residual operating current not exceeding 30mA.
-  A voltage surge protector should be fitted as voltage spikes or incorrect voltage can cause fire or seriously damage the motor.

Install, ground and maintain this pump in accordance with electrical code requirements. Consult your local building inspector for information about codes.

Provide a correctly fused Residual Current Device or Earth Leakage Device for protection while working on motor. Consult local or national electrical codes for switch requirements.

Disconnect power before servicing motor or pump. If the RCD or Earth Leakage device is out of sight of the pump, lock it open and tag it to prevent unexpected power application.

ELECTRICAL (continued)

Make ground connection to green grounding terminal under capacitor cover lid marked $\text{—}|\text{—}$ and/or E.

230 volt single phase motors are supplied as standard with on winding thermal overload protection and are designed to plug directly into a 10 amp (GPO) domestic power supply to local electrical authority specifications.

If service is required to the power lead, it must be replaced with the appropriate specialised power lead assembly. Warranty is void if unauthorised modifications are made to any component.

Protect current carrying and grounding conductors from cuts, grease, heat, oil, and chemicals.

⚠ WARNING

Motor has automatic internal thermal overload protection. If motor has stopped for unknown reasons, thermal overload may restart motor unexpectedly, which could cause injury or property damage. Disconnect power before servicing motor.

If any of the preceding is confusing, consult a licensed electrician.

OPERATION

Priming the Pump (Suction lift installations)

NOTICE: 'Priming' refers to the pump expelling all air in the system and beginning to move water from its source out into the system. It does not refer only to pouring water into the pump (although pouring water in is usually the first step).

NOTICE: NEVER run pump dry. Running pump without water in it will damage seals and can melt impeller, diffuser and seal plate. **To prevent damage, fill pump with water before starting.**

1. Remove priming plug (located on top of the pump casing).
2. Make sure discharge valve(s) and any hoses on discharge side of the pump are open.
3. Fill pump and suction pipe with water.

OPERATION (continued)

4. Replace priming plug, using Teflon tape on thread; tighten plug.
NOTICE: If a priming tee and plug have been provided for a long horizontal run, be sure to fill suction pipe through this tee and replace plug. (Don't forget to Teflon tape the plug.)
5. Start pump: water should be produced in 10 minutes or less, the time depending on depth to water (suction lift not more than 6 metres) and length of horizontal run.

If no water is produced within 10 minutes, stop pump, release all pressure, remove priming plug, refill and try again.

▲ WARNING

Hazardous pressure and risk of explosion and scalding. If pump is run continuously at no flow (that is, with discharge shut off or without priming), water may boil in pump and piping system. Under steam pressure, pipes may rupture, blow off fittings or blow out of pump ports and scald anyone near.

To prevent explosion, do the following:

- A. Ensure discharge (valve, hose nozzle, etc.) is open whenever pump is running.
- B. If pump fails to produce water when attempting to prime, release all pressure, drain pump and refill with cold water after every two attempts.
- C. When priming, monitor pump and piping temperature. If pump or piping begin to feel warm to the touch, shut off pump and allow system to cool. Release all pressure in system and refill pump and piping with cold water.

SERVICE & MAINTENANCE



This centrifugal pump requires little or no regular service other than reasonable care and periodic cleaning. Occasionally, however, a shaft seal may become damaged and must be replaced. The procedure as outlined below will enable you to replace the seal.

CAUTION Liquid may be HOT, release pressure before servicing.

NOTICE: The highly polished and lapped faces of the seal are easily damaged. Read instructions and handle the seal with care.

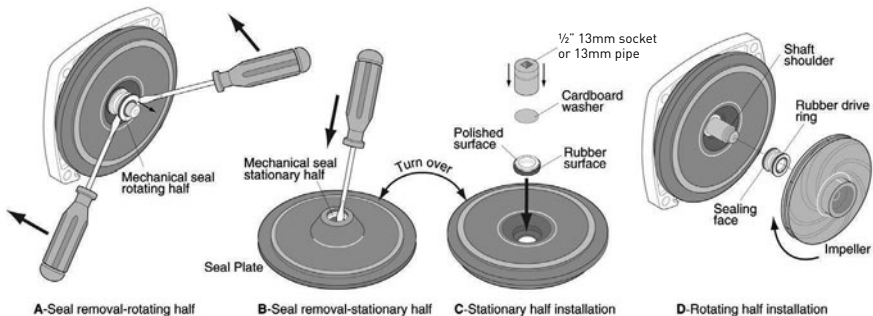
REMOVAL OF OLD SEAL

1. After unscrewing impeller, carefully remove rotating part of seal by prying up on sealing washer, using two screwdrivers (see Figure A). Use care not to scratch motor shaft.
2. Remove seal plate (baffle) from motor and place on flat surface, face down. Use a screwdriver to push ceramic seat out from seal cavity (see Figure B).

INSTALLATION OF FLOATING SEAL

(Figure C)

1. Clean polished surface of floating (ceramic) seat with clean cloth.
2. Turn seal plate over so seal cavity is up; clean cavity thoroughly.
3. Lubricate outside rubber surface of ceramic seat with silicone based lubricant, ensuring no lubricant gets on the polished ceramic wear face, and press firmly into seal cavity with finger pressure. If seat will not locate properly in this manner, place a cardboard washer over polished face of seal and press into seal cavity using a 1/2" 13mm socket or 13mm piece of standard pipe.



SERVICE & MAINTENANCE (continued)

4. Dispose of cardboard washer. If need ensure polished surface of seal seat is free of dirt and has not been damaged during insertion. Remove any excess lubricant that may have been dislodged during insertion and ensure that there is no lubricant on the polished face of the seal.

INSTALLATION OF ROTATING PART OF SEAL UNIT

(Figure D)

1. Clean face of sealing washer with clean cloth.
2. Reinstall seal plate using extreme caution not to hit ceramic portion of seal on motor shaft.
3. Inspect shaft to ensure that it is clean.
4. Lubricate outer face of rubber drive ring with silicone-based lubricant, ensuring no lubricant touches the polished face, and slide assembly on motor shaft (sealing/polished face first) until rubber drive ring hits shaft shoulder (ensure that the polished face does not hit the motor shaft).
5. Screw impeller on shaft until impeller hub hits shaft shoulder. This will automatically locate seal in place and move the sealing washer face up against the facing seat.

Should you have any difficulty replacing the seal unit please contact your local pump professional.

⚠ CAUTION

Liquid may be HOT, release pressure before servicing.

⚠ CAUTION

Pump should only be serviced by qualified personnel. Make sure to prime pump before operating. NEVER run pump dry!

⚠ CAUTION

If the supply cord is damaged, it must be replaced by the manufacturer or an authorised service agent.

Troubleshooting Guide

Symptom	Cause	Remedy
<p>Pump failure or reduced capacity or reduced discharge pressure.</p> <p>Thermal Overload tripping: The thermal overload is automatic and resets after the pump has cooled. If thermal continues to trip there is something wrong with the pump.</p>	Suction leaks / lost prime	Pump must be primed; make sure that the pump casing is full of water. Refer priming instructions.
		Make sure there are no leaks in suction piping.
		Make sure suction pipe inlet is well below the water level to prevent pump from sucking air.
		Suction lift of 3 to 6 metres will reduce performance. Suction lift of more than 6 metres will prevent pumping and cause pump to lose prime. In either instance, move the pump closer (vertically) to water source. Ensure the suction pipe diameter is large enough.
	Clogged pipe / impeller, worn impeller.	Make sure that the impeller is not clogged. This should be checked by qualified personnel only.
		Impeller and diffuser may be worn. If so, check with your local Onga dealer or suitably qualified personnel.
		Pump may be trying to push too high a column of water. If so, a "higher head" pump is required.
	No power at outlet.	Use another electrical appliance that is known to work to check the power outlet.
	Blown fuse.	Check fuse and replace if necessary.
	Incorrectly sized pipe.	Check pipe work pressure losses and replace with larger diameter pipe if required.
Motor burnt out due to voltage spike or flooded by water.	The motor may need replacing.	
Valves turned to the closed position.	Check the plumbing to ensure the valves are in the correct position for pumping on the suction and discharge.	
Air ingress to system.	Prime the pump. Check that there are no air leaks in the suction piping or fittings. Check that there are no leaks coming from beneath the pump.	

Troubleshooting Guide (Continued)

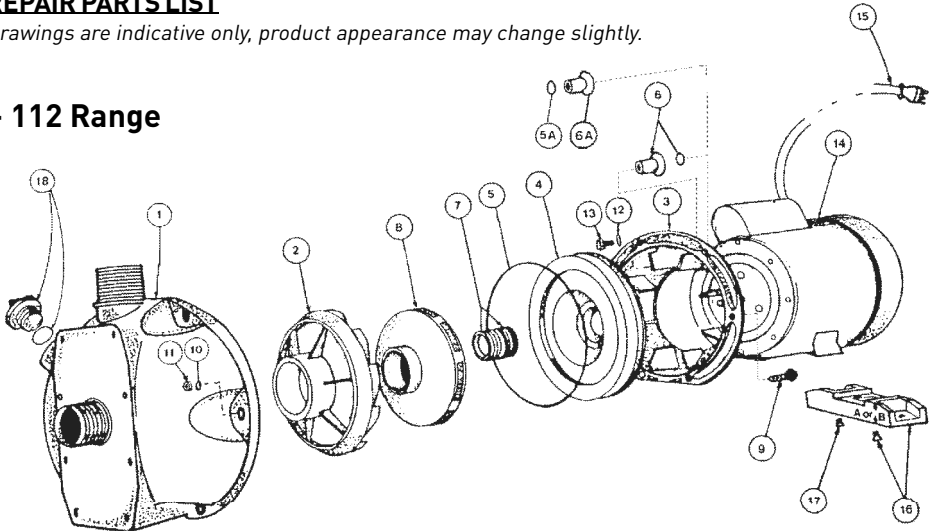
Symptom	Cause	Remedy
Pump running too slowly.	Low voltage.	Check voltage at motor terminals and at meter while pump is running – this check should be performed by a qualified electrician only. If voltage is low check for loose connections or consult your power company.
	Pump may be too hot.	Check line voltage; if less than 90% or more than 110% of rated voltage consult a licensed electrician. Increase ventilation. Reduce ambient temperature. Tighten any loose connections.
Pump leaking from between the casing and motor.	Casing bolts are not tightened sufficiently; Casing O'ring is worn; Mechanical seal requires replacing.	Switch off the power to the pump. Loosen the casing bolts. Check the alignment and condition of the casing o'ring before retightening the bolts. Replace the o'ring if leaking persists. Replace the mechanical seal.
No water.	Pump not running.	Check power supply.
	Gate valve closed.	Open gate valve.
Pump runs but no water.	Air leak in suction pipe.	Check suction pipe.
	The pump has not been filled with water.	
	Water has evaporated leaving the pump dry.	
	Foreign matter has clogged the impeller.	
Pump will not prime.	Foot valve leaking.	Check foot valve for seal, fix or replace if necessary.
	Air lock.	Check suction line for 'humps'. Have your local pump professional prime the pump with an engine drive pump to score air from lines.
	Water source has been drawn down so that suction is above the water line.	Check suction is submerged.

Should problems persist, contact your nearest Onga service agent.

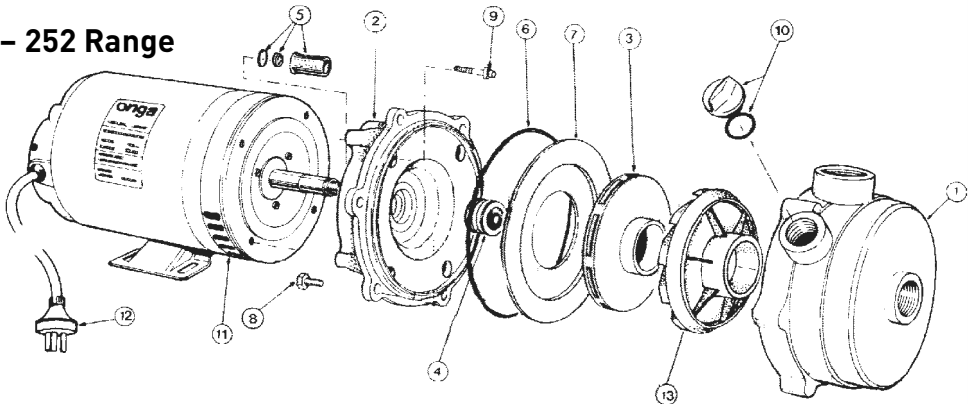
REPAIR PARTS LIST

Drawings are indicative only, product appearance may change slightly.

- 112 Range



- 252 Range



112

REF NO.	DESCRIPTION	PART NO.	
1	CASING	402721	1PC
2	DIFFUSER	402810	1PC
3	YOKE	301850	1PC
4	BAFFLE	402301K	1PC
5	O'RING CASING	702184K	1PC
7	SEAL KIT (INC. 6 & 7)	800887K	1PC
8	IMPELLER (1 PHASE)	506343K	1PC
	IMPELLER (3 PHASE)	801235K	1PC
14	MOTOR - 1PH	801015	1PC
	MOTOR - 3PH	800447	1PC
15	LEAD	608200K	1PC
18	PRIMING PLUG & O'RING	800017	2PC
NS	NUT DOMED (3 PHASE ONLY)	603250	1PC

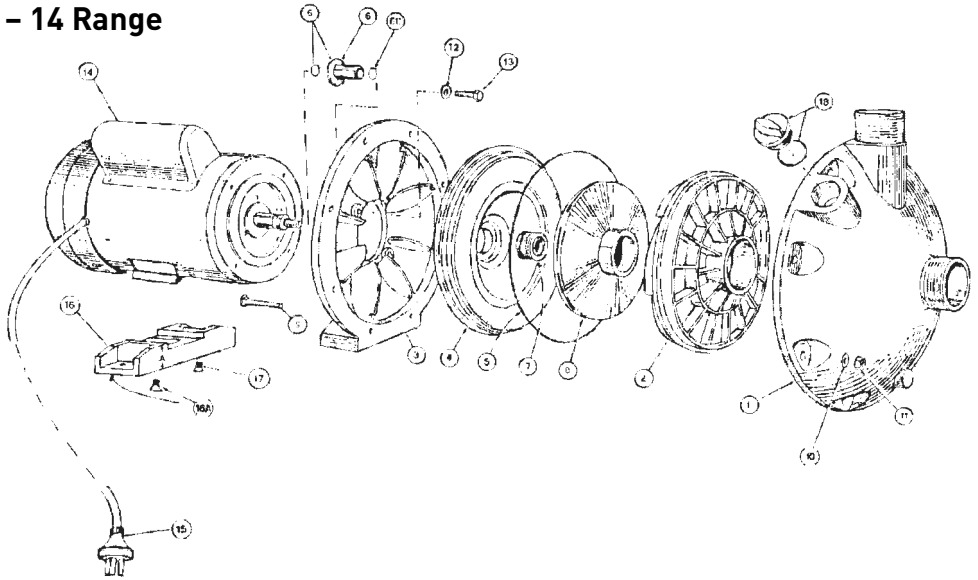
252

REF NO.	COMPONENT DESCRIPTION	PART NO.	
1	CASING	400880GN	1PC
2	YOKE	402400GN	1PC
3	IMPELLER	506343	1PC
4	SEAL KIT (INC. 4 & 5)	800583K	1PC
5	SHAFT SLEEVE KIT	800895K	1PC
6	O-RING - CASING	700206K	1PC
7	BAFFLE	403233	1PC
8	SCREW (PK/10)	800097	1PC
9	BOLT & BOLT SEAL (PK/12)	800242K	1PC
10	PRIMING PLUG & O-RING	800017K	1PC
11	MOTOR - 1 PHASE	800445	1PC
	MOTOR - 3 PHASE	800447	1PC
12	LEAD	608200K	1PC
13	DIFFUSER	402810	1PC

REPAIR PARTS LIST (continued)

Drawings are indicative only, product appearance may change slightly.

- 14 Range

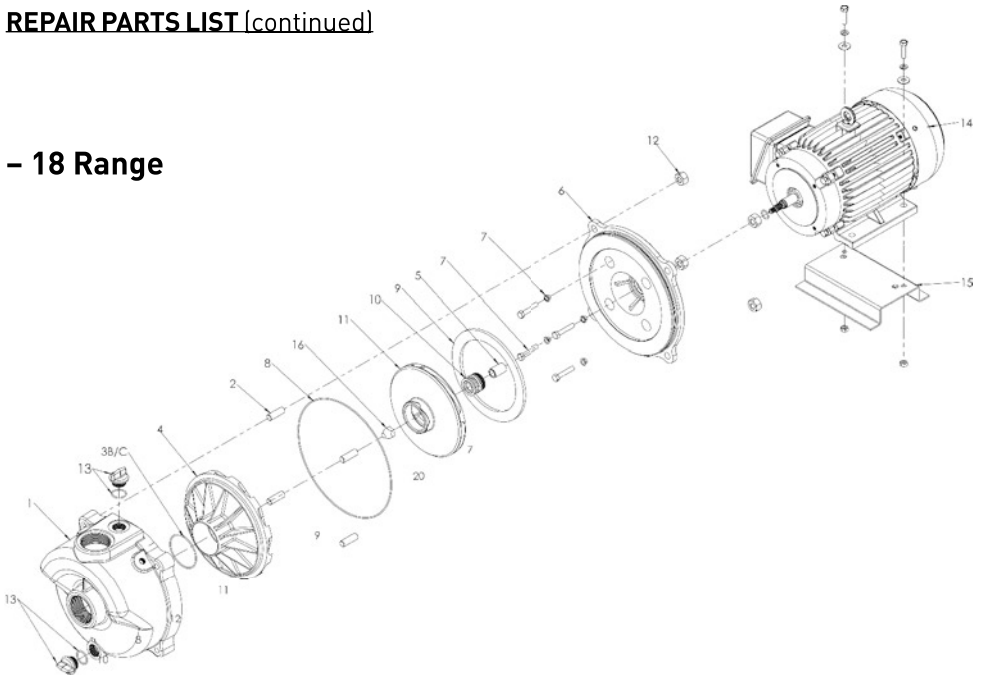


MODEL	142	143	147	148
PART NUMBER	314200	314300	314700	314800
	314230	314330		

REF NO.	DESCRIPTION	PART NO.	PART NO.	PART NO.	PART NO.
1	CASING	301106	1PC	301106	1PC
2	DIFFUSER	301431K	1PC	301481K	1PC
3	YOKE	402061	1PC	402061	1PC
4	BAFFLE	403501	1PC	403421	1PC
5	O'RING CASING	702180K	1PC	702180K	1PC
6	SHAFT SLEEVE & O'RING KIT	800895K	1PC	801007K	1PC
6b	O'RING SHAFT SLEEVE (PK 10)	702218K	1PC	-	1PC
7	SEAL KIT (INC. SEAL + 6)	800583	1PC	800890K	1PC
	SEAL (PK 25)	800900	1PC	800900	1PC
8	IMPELLER - 1PH	506353K	1PC	503843K	1PC
	IMPELLER - 3PH	801231K	1PC	503849K	1PC
9	COACH BOLT (PK 10)	800254	8PC	800254	8PC
10	WASHER (PK 20)	800151	8PC	800151	8PC
11	NUT (PK 12)	702025K	8PC	702025K	8PC
12	WASHER (PK 20)	800151	4PC	800151	4PC
13	SCREW (PK 10)	800097	4PC	800097	4PC
14	MOTOR - 1PH	800445	1PC	800446	1PC
	MOTOR - 3PH	800447	1PC	800449	1PC
NS	NUT DOMED 3PH MOTOR 3/4IN	603250	1PC	603250	1PC
15	LEAD	608200K	1PC	608200K	1PC
16	PRIMING PLUG & O'RING	800017K	1PC	800017K	1PC

REPAIR PARTS LIST (continued)

- 18 Range



MODEL	182	183	184	185	187
PART NUMBER	318200	318300	318400	-	318700
	318230	318330	318430	318530	318730

REF No.	DESCRIPTION	PART. NO	PART. NO	PART. NO	PART. NO	PART. N
1	CASING & STUD ASSY.	800283 1PC	800283 1PC	800283 1PC	800283 1PC	800283 1PC
2	STUD (PK/10)	800113 1PC	800113 1PC	800113 1PC	800113 1PC	800113 1PC
NS	ADAPTOR	504280 1PC	504280 1PC	-	-	1PC
NS	ORING CASING SPIGOT	702231 1PC	702231 1PC	-	1PC	-
3B	ORING ADAPTOR SPIGOT	702203 1PC	702203 1PC	-	1PC	-
3C	ORING DIFFUSER	-	1PC	-	1PC	702192 1PC
4	DIFFUSER	301431K 1PC	301481K 1PC	301884 1PC	301884 1PC	301941 1PC
5	SHAFT SLEEVE KIT	800895K 1PC	800895K 1PC	801007K 1PC	-	1PC
6	YOKE	301650GN 1PC	301650GN 1PC	301650GN 1PC	302010GN 1PC	301650GN 1PC
7	BOLT & BOLT SEAL (PK/12)	800242K 1PC	800242K 1PC	800242K 1PC	800242K 1PC	800242K 1PC
8	ORING CASING	700207K 1PC	700207K 1PC	700207K 1PC	700207K 1PC	700207K 1PC
9	BAFFLE	401322 1PC	401323 1PC	-	1PC	401322 1PC
10	SEAL KIT (INC. SEAL + ITEM 5)	800890K 1PC	800890K 1PC	800890K 1PC	800871K 1PC	800890K 1PC
11	IMPELLER - 1PH	506353K 1PC	503843K 1PC	403976K 1PC	-	1PC
	IMPELLER - 3PH	506353K 1PC	503849K 1PC	403979K 1PC	404036 1PC	504413 1PC
12	NUT (PK/12)	800093K 1PC	800093K 1PC	800093K 1PC	800093K 1PC	800093K 1PC
13	PRIMING PLUG & ORING	800017K 1PC	800017K 1PC	800017K 1PC	800017K 1PC	800017K 1PC
NS	PLUG	700230 1PC	700230 1PC	700230 1PC	700230 1PC	700230 1PC
14	MOTOR - 1PH	800445 1PC	800446 1PC	801350 1PC	-	1PC
	MOTOR - 3PH	800448 1PC	800449 1PC	800450 1PC	800451 1PC	800449 1PC
15	BASE	504290GN 1PC	504290GN 1PC	504290GN 1PC	504290GN 1PC	504290GN 1PC
16	IMPELLER NUT (3PH)	603250 1PC	603250 1PC	603250 1PC	603250 1PC	603250 1PC
NS	WASHER (PK/20)	800151 1PC	800151 1PC	800151 1PC	-	1PC

IMPORTANT

Please attach your sales invoice/docket here as proof of purchase should warranty service be required.

Please do not return Warranty - Retain for your records.

Purchased From

Purchase Date..... Serial No..... Model No.....



1-21 Monash Drive,
Dandenong South, Vic 3175

Australia

National Customer Service: Phone: 1300 137 344
Fax: 1800 006 688
National Dealer Locator: Phone: 1800 664 266
Email: au.sales@pentair.com
Web: www.pentair.com.au

New Zealand

National Customer Service: Phone: 0800 654 112
Fax: 0800 806 642
National Dealer Locator: Phone: 0800 664 269
Email: nz.sales@pentair.com
Web: www.pentair.co.nz

International Australia/New Zealand

Phone: +61 3 9709 5800
Fax: +61 3 9709 5888

© Information contained here-in remains the property of Pentair Pty Ltd. Any reproduction, display, publication, modification or distribution is strictly prohibited without the prior written permission of Pentair Pty Ltd.

Disclaimer: Pentair reserves the right to change product specifications and products details. All product images are for reference purposes only and may not represent actual and/or current product.

No responsibility will be taken for errors, omissions or changes in product specifications.