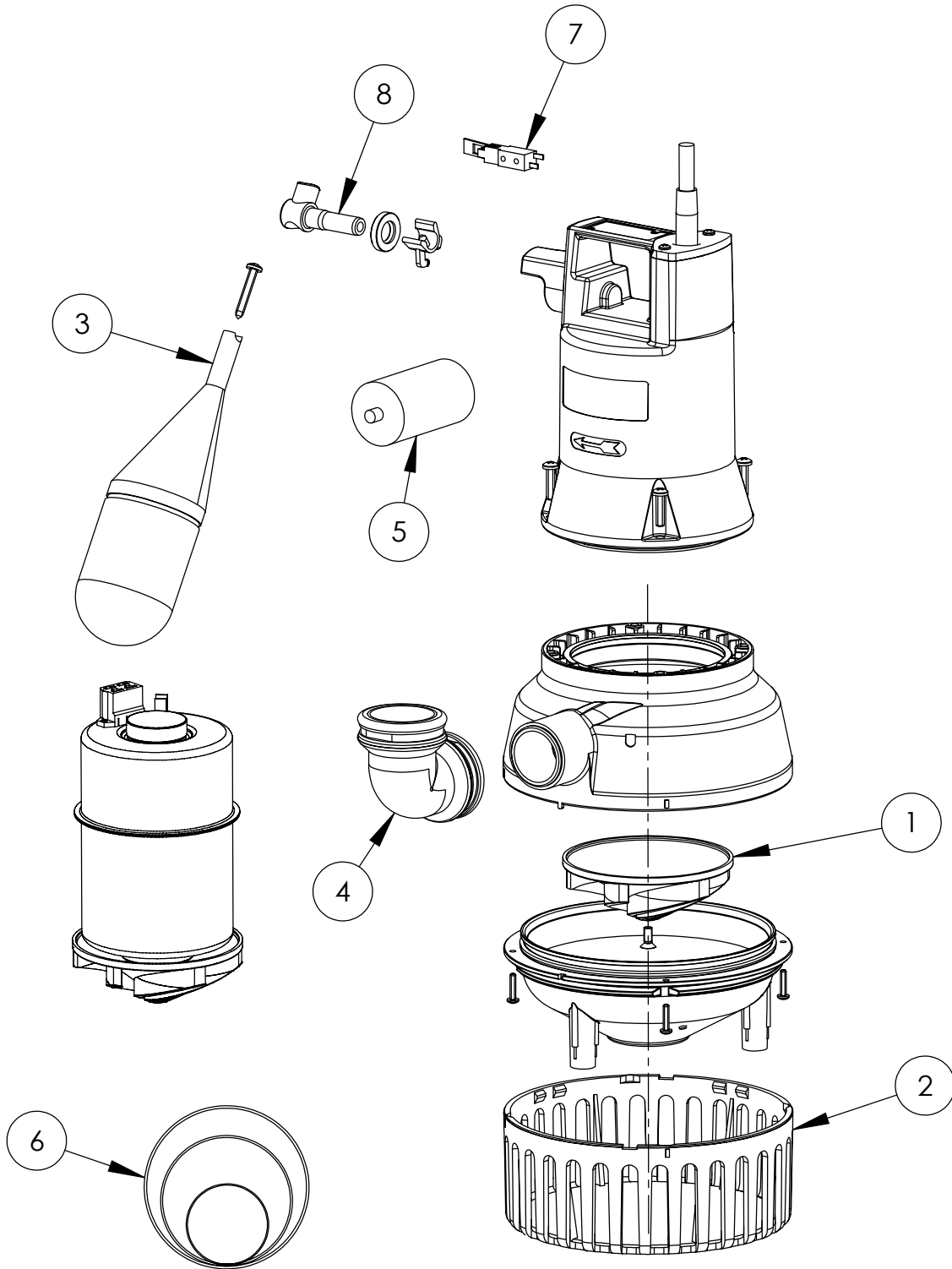


Jung U3 / U5 & U6 Models



SUBMERSIBLE

PARTS LIST TABLE

Jung U3 / U5 & U6 Models

PUMP	U3KS	U3KS Special	U5KS	U6KS
PART NO.	JP09484	JP44084	JP44091	JP44085

REF NO.	COMPONENT DESCRIPTION	PART NO.		PART NO.		PART NO.		PART NO.	
1	IMPELLER	JP26211	1PC	JP26211	1PC	JP26211	1PC	JP26211	1PC
2	STRAINER BASE	JP27186	1PC	JP27186	1PC	JP40242	1PC	JP41903	1PC
3	FLOAT	JP42771	1PC	JP42771	1PC	JP42771	1PC	JP42771	1PC
4	ELBOW 1 1/4"	JP16687	1PC	JP16687	1PC	JP16687	1PC	JP16687	1PC
5	SWING CHECK-VALVE	JP16936	1PC	JP16936	1PC	NA	1PC	NA	1PC
6	O-RING	JP16325	1PC	JP16325	1PC	JP44285	2PC	JP42774	3PC
7	MICRO SWITCH	JP08219	1PC	JP08219	1PC	JP08219	1PC	JP08219	1PC
8	SWITCH SHAFT	JP42770	1PC	JP42770	1PC	JP42770	1PC	JP42770	1PC
NS	SPECIAL FLOAT ARM (LOW SWITCHING)	JP17424	1PC	JP17424	1PC	JP44207	1PC	JP44207	1PC
NS	SPECIAL FLOAT ARM (NARROW SWITCHING)	JP40856	1PC	JP40856	1PC	JP40856	1PC	JP40856	1PC
NS	FLOAT FIXATION	JP42175	1PC	JP42175	1PC	JP42175	1PC	JP42175	1PC