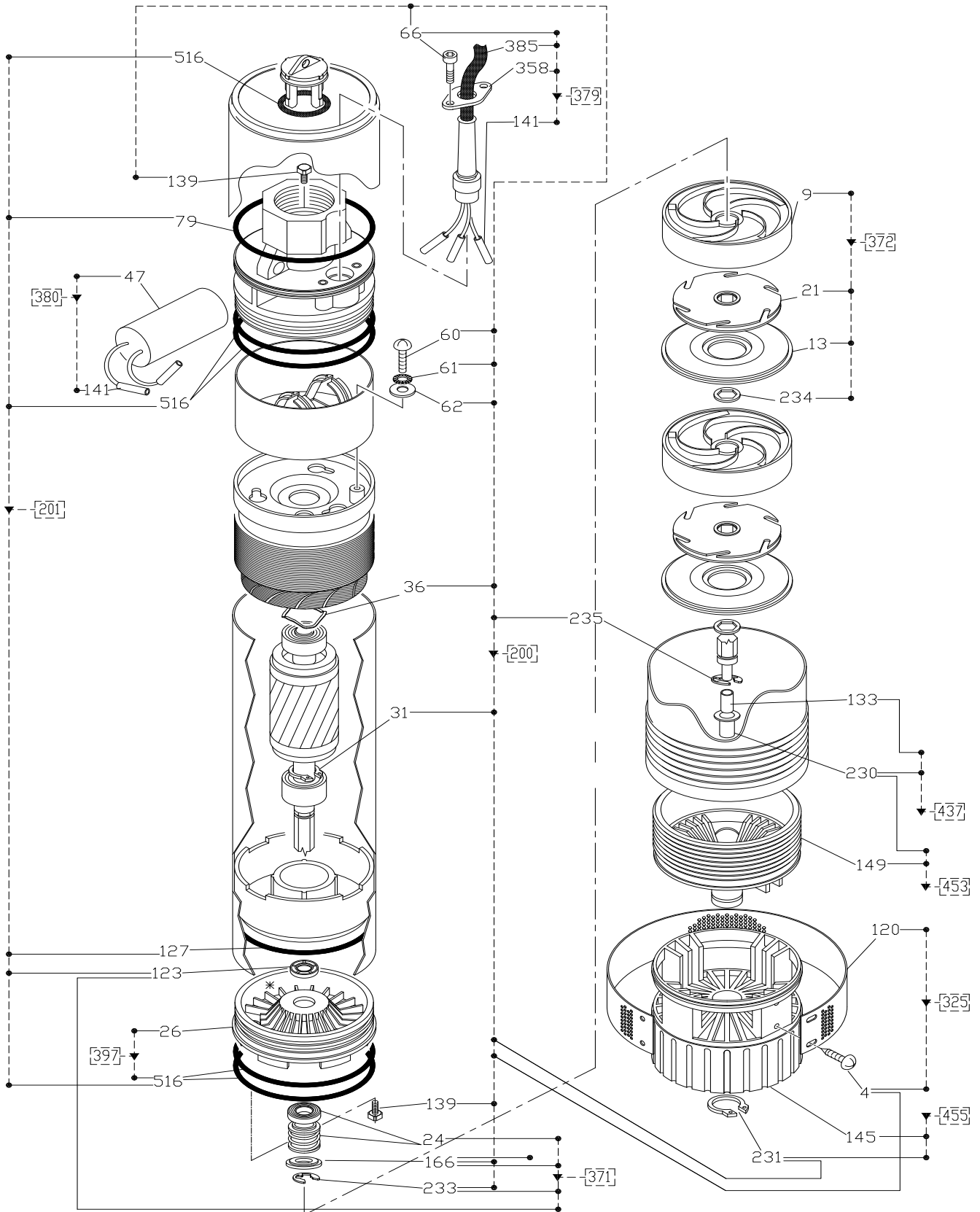


**Dominator Models**

HOMEMASTER RANGE



Drawings are indicative only, product appearance may change slightly.

# PARTS LIST TABLE

## Dominator Models

MODEL	75/35	75/56	115/57
	5 STAGE	8 STAGE	8 STAGE
PART NUMBER	D7535	D7556	D11557

KIT NO.	KIT REFERENCE NO.	REF NO.	COMPONENT DESCRIPTION	PART NO.	PART NO.	PART NO.
200	BOLTS & SCREW KITS	233	SNAP RING (SEAL)	ZBR32910	ZBR32910	ZBR32910
		166	WASHER SEAL COMPRESSION			
		139	O-RING COVER			
		61	WASHER TOOTHED (MOTOR)			
		60	SCREW (MOTOR)			
		66	SCREW (CABLE)			
		235	SNAP RING (START UP)			
		4	SCREW (SUCTION)			
		231	SNAP RING (SUCTION)			
		62	WASHER WASHER PLAIN (MOTOR)			
		31	SNAP RING (MOTOR)			
		36	RING ELASTIC (MOTOR)			
		201	GASKET KIT			
79	GASKET (MOTOR BODY)					
516	O-RING (MOTOR)					
127	O-RING (LOWER BEARING - MOTOR)					
123	RING SEAL					
325	FILTER (COMPLETE)	120	FILTER	ZBR33100	ZBR33100	ZBR33100
		4	SCREW			
371	MECHANICAL SEAL KIT	24	MECHANICAL SEAL	ZBR32960	ZBR32960	ZBR32960
		123	RING SEAL			
		166	WASHER SEAL COMPRESSION			
		233	SNAP RING (SEAL)			
372	HYDRAULIC KIT	9	DIFFUSER	ZBR28890	ZBR28890	ZBR28900
		21	IMPELLER			
		13	CAP (DIFFUSER)			
		234	THRUST PAD			
380	CABLE DOMINATOR	385	POWER CABLE	751S5860	751S5860	751S5860
		47	CAPACITOR	ZBR25550	ZBR25950	ZBR25950
437	RING GUIDE KIT	141	CONNECTOR 2.5 SQMM			
		133	BUSHING (CERAMIC)	ZBR33110	ZBR33110	ZBR33110
453	SUPPORT FLANGE KIT	230	BEARING (BRONZE)			
		149	FLANGE (SUCTION)	ZBR33050	ZBR33050	ZBR33050
455	BASE KIT	230	BEARING (BRONZE)			
		231	SNAP RING	ZBR33030	ZBR33030	ZBR33030
		145	BASE (FILTER)			